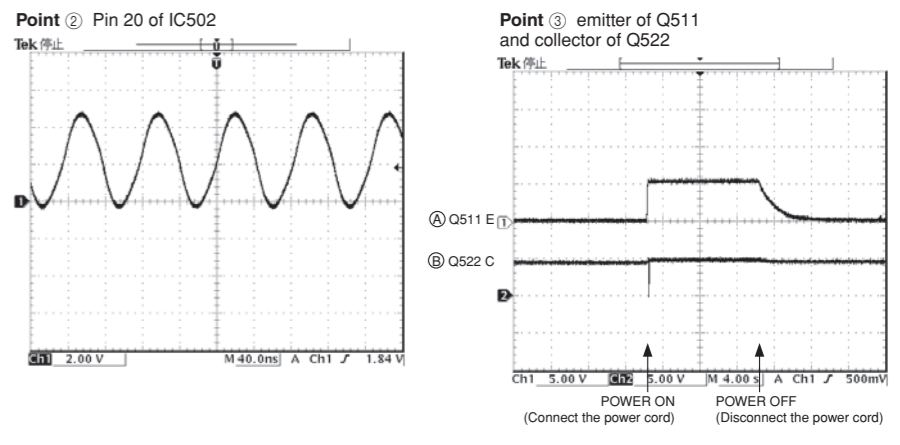
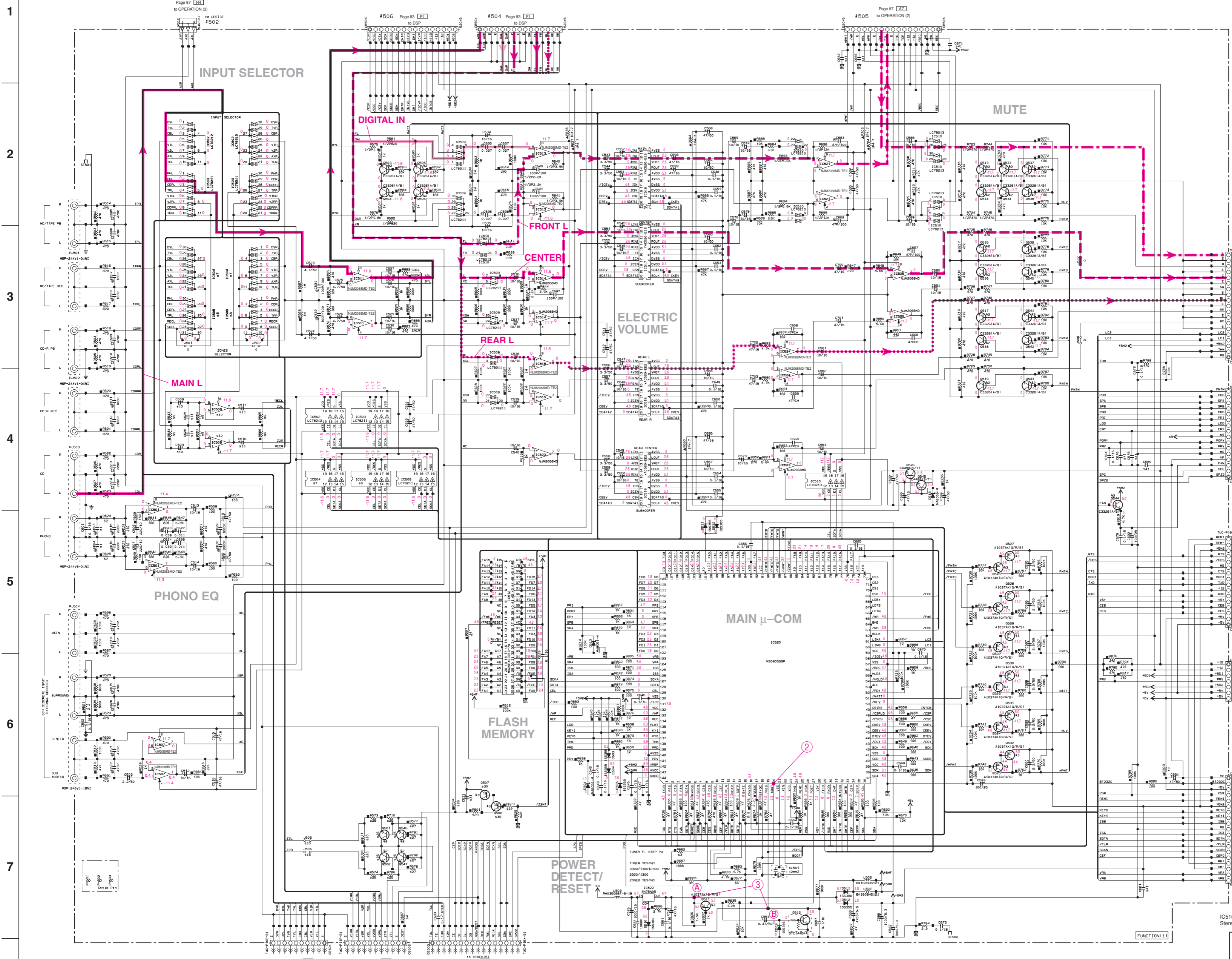


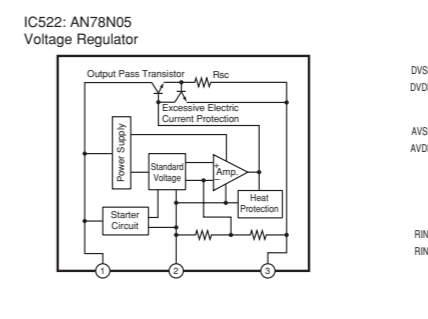
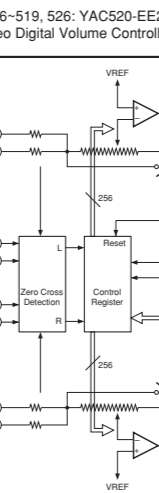
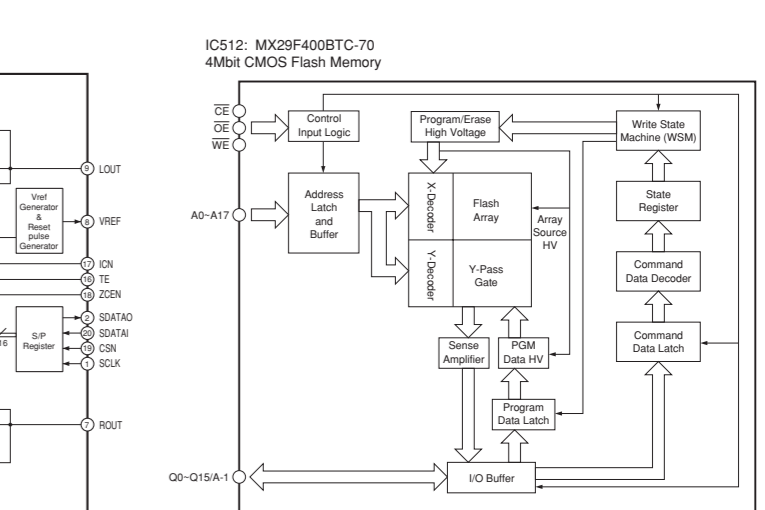
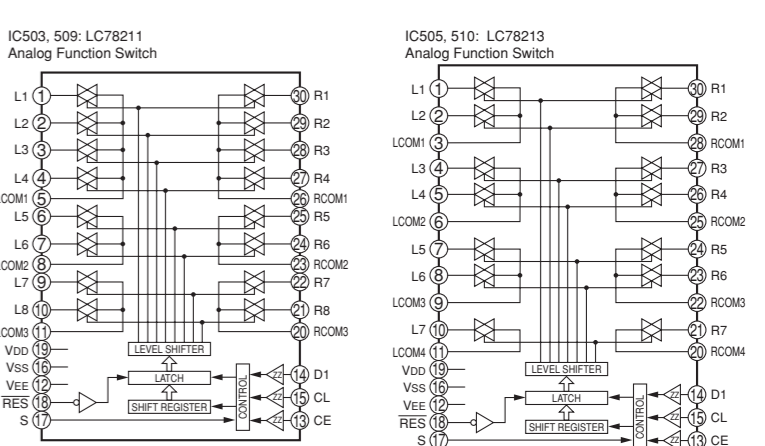
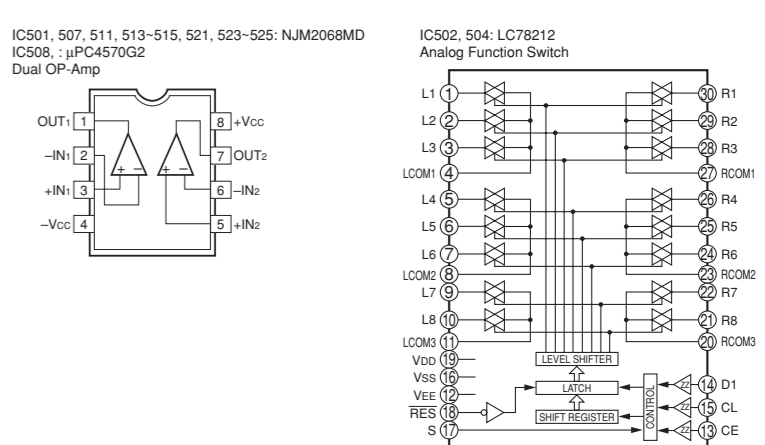
**SCHEMATIC DIAGRAM (FUNCTION) RX-V1300/RX-V1300RDS/HTR-5590/DSP-AX1300**

RX-V2300/DSP-AX2300/RX-V1300/RX-V1300RDS/HTR-5590/DSP-AX1300



IC Part No.	J	K	R1-T4	A	B-D	Comments
1 C003-604	X	X	X	X	X	SDP LMS022
2 P024-525	47	RD0447	RD0447	2.2K	RD0447	SDP LMS022
3 P060	X	X	RD0447	X	X	FLNDR P060-011
4 P067	X	X	RD0447	X	X	FLNDR P060-011
5 P065	X	X	RD0447	X	X	FLNDR P060-011
6 P072	4.7K	RD0447	4.7K	RD0447	4.7K	FLNDR P060-011
7 C004	X	LC7812	X	LC7812	X	SDP LMS022
8 C005	X	LC7813	X	LC7813	X	SDP LMS022
9 P043-544-550-555-565-566	X	RD0447	X	RD0447	X	SDP LMS022
10 C006-509	X	RD0447	X	RD0447	X	SDP LMS022
11 C007-626	X	RD0447	X	RD0447	X	SDP LMS022
12 C008	X	RD0447	X	RD0447	X	SDP LMS022
13 C011-518	X	RD0447	X	RD0447	X	SDP LMS022
15 J005-556	X	RD0447	X	RD0447	X	SDP LMS022
20 P071-700	X	RD0447	X	RD0447	X	SDP LMS022
25 P072-514	X	RD0447	X	RD0447	X	SDP LMS022
26 P073-540	X	RD0447	X	RD0447	X	SDP LMS022
27 P074-576-623	X	RD0447	X	RD0447	X	SDP LMS022
28 P075-700	X	RD0447	X	RD0447	X	SDP LMS022
29 P081	X	RD0447	X	RD0447	X	SDP LMS022
30 P077-508	X	RD0447	X	RD0447	X	SDP LMS022
31 C033	X	RD0447	X	RD0447	X	SDP LMS022
41 C066-671-676-682	X	RD0447	X	RD0447	X	SDP LMS022

\* NOT USED  
○ USED / APPLICABLE



- All voltages are measured with a 10MΩ/V DC electric volt meter.
- Components having special characteristics are marked ⚠ and must be replaced with parts having specifications equal to those originally installed.
- Schematic diagram is subject to change without notice.
- 電圧は、内部抵抗10MΩの電圧計で測定したものです。
- ⚠印のある部品は、安全性確保部品を示しています。部品の交換が必要な場合、パーツリストに記載されている部品を使用してください。
- 本回路図は標準回路図です。改良のため予告なく変更することがございます。

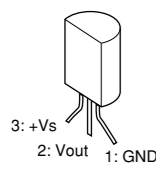
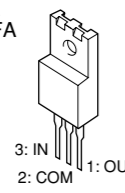
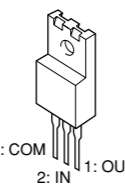
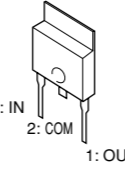
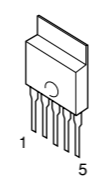
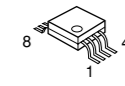
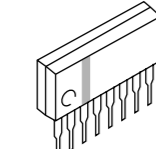
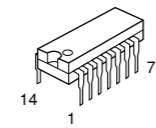
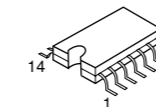
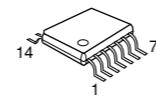
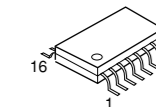
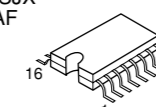
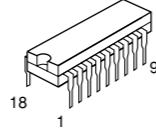
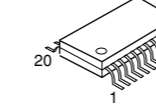
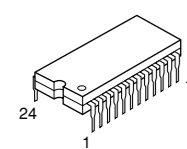
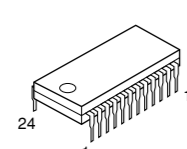
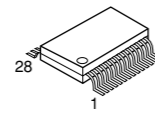
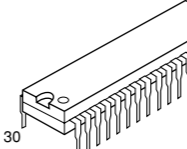
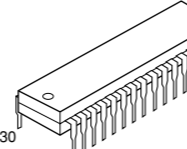
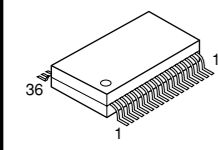
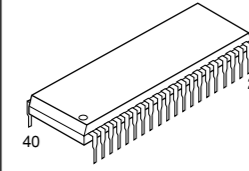
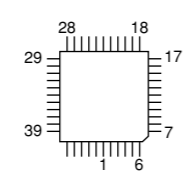
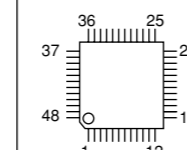
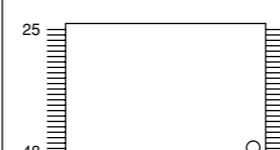
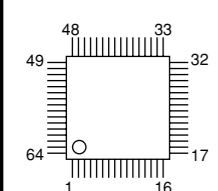
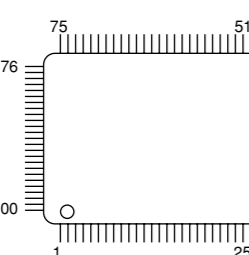
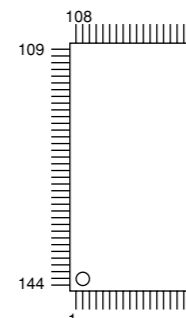
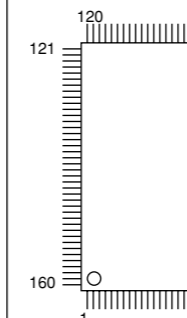
NOTICE (mode1)

Interchangeable Parts at Manufacturer's Stage

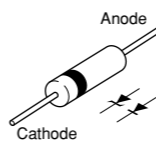
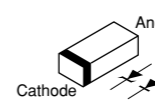
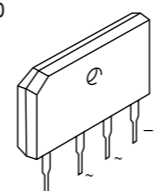
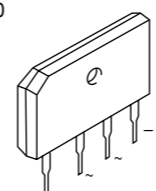
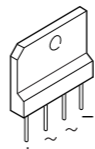
Part No.	Part Name	Part No.	Part Name
1	RESISTOR	1	RESISTOR
2	CAPACITOR	2	CAPACITOR
3	IC	3	IC
4	TRANSISTOR	4	TRANSISTOR
5	DIODE	5	DIODE
6	RELAY	6	RELAY
7	CONNECTOR	7	CONNECTOR
8	MECHANICAL PART	8	MECHANICAL PART
9	WIRE	9	WIRE
10	OTHER	10	OTHER

## ■ PIN CONNECTION DIAGRAM



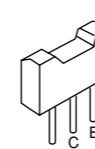
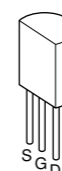
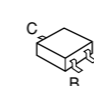
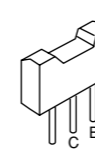
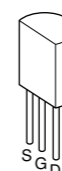
### • ICs

LM61CIZ 	AN78N05 NJM7805FA NJM78M12FA 	NJM79M05FA NJM79M12FA 	μPC29M33T-E1 	PQ025EZ5MZP 
NJM2068MD NJM2904M TK15420M μPC4570G2 	NJM4556AL 	TC4066BP 	TC74HCT00AF TC74HCU04AF TC74HCT08AF 	NJM2581M TC4066BF-T1 
ADM202JRN-REEL7 LA7108M M62320FP 	MM74HC4051N MM74HC4051SJX MM74HC4053N MM74HC4053SJX TC74HC4052AF 	BU2092 	CS4392-KZR CS5360-KSR YAC520-EE2 	
LC72722 	LC74781-9798 	CY62256LL 	LC78211 LC78213 	LC78212 
LA7109 	MSM514260E-60JS 	CS493292-CLR 	CS4382-KQR 	MX29F400BTC-70 
M66003-0101FP 	XC9572XL-10TQ100C 	M30805SGP 	YSS938-F 	

### • Diodes

1N4002S 1SS133 1SS270A 1T2 	MTZJ4.7C MTZJ5.1A MTZJ6.2C MTZJ9.1A MTZJ10.0A MTZJ10.0B MTZJ12.0C MTZJ20.0C MTZJ24.0C MTZJ33.0B 	1SS355 1SS380 MA8051-M MA8056-M MA8068-H MA8082-H RB501V-40 UDZS5.6BTE-17 
D2SBA20 	D15XB20 	

### • Transistors

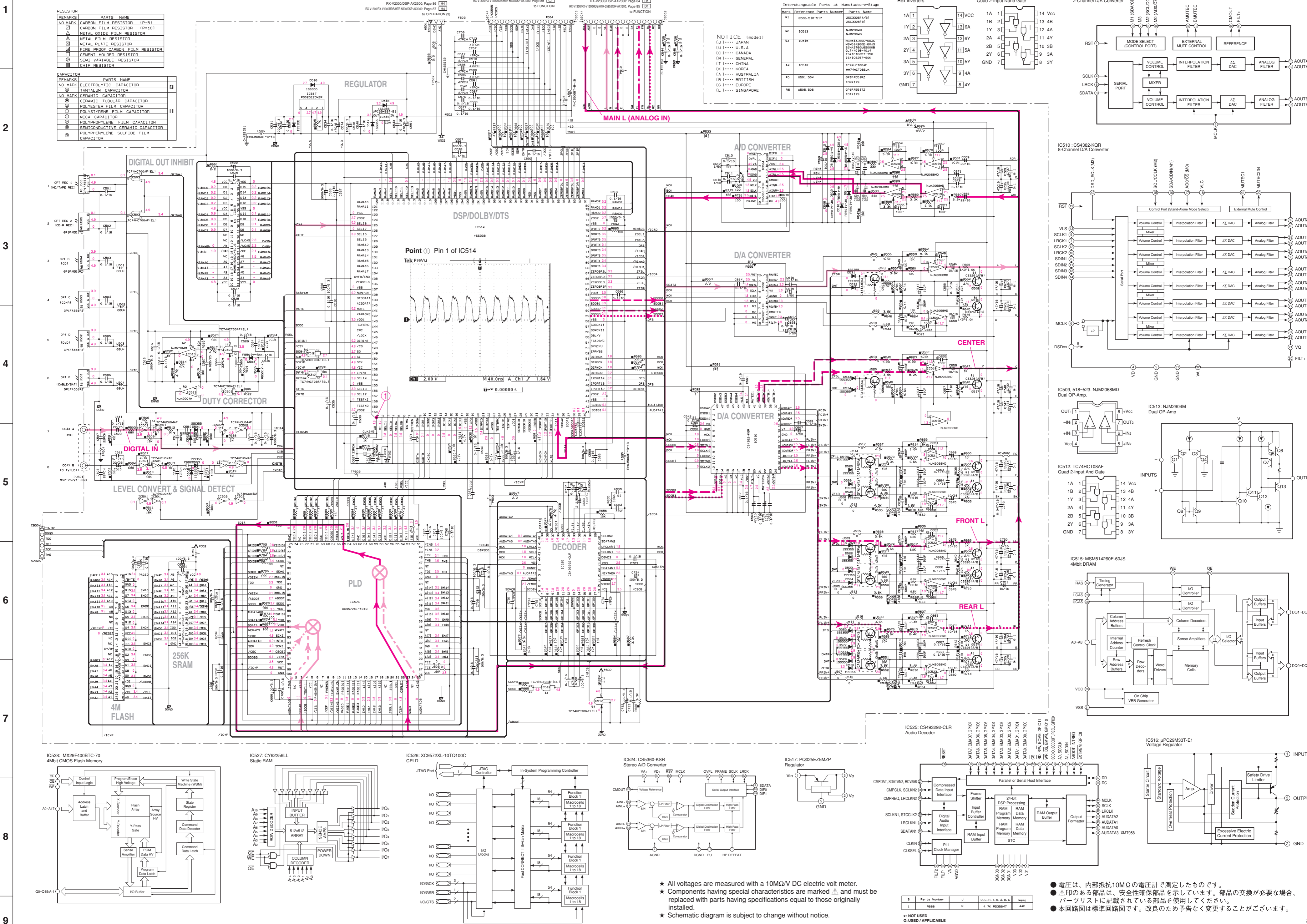
2SA893A 2SA970 2SA1015 2SB949 2SC535 2SC1815 2SC1890A 2SC2240 2SC2878 	2SC1740S 2SD1915F 	2SA1837 2SB941 2SB1565 2SC4793 2SD2396 	2SA1492 2SC3856 
2SA1037K 2SC2412K 2SC3326 DTA144EKA DTC144EKA 	2SA1708 2SC4488 	2SK246 	

# SCHEMATIC DIAGRAM (DSP)

RX-V2300/DSP-AX2300/RX-V1300/RX-V1300RDS/HTR-5590/DSP-AX1300

REMARKS	PARTS NAME
RESISTOR	
NO. MARK	CARBON FILM RESISTOR (P=5)
□	CARBON FILM RESISTOR (P=10)
△	METAL OXIDE FILM RESISTOR
▲	METAL FILM RESISTOR
◇	METAL PLATE RESISTOR
○	FILM PROOF CARBON FILM RESISTOR
□	CEMENT MOLDED RESISTOR
○	SEMI-VARIABLE RESISTOR
○	CHIP RESISTOR

REMARKS	PARTS NAME
CAPACITOR	
NO. MARK	ELECTROLYTIC CAPACITOR
□	TANTALUM CAPACITOR
○	CERAMIC CAPACITOR
○	CERAMIC TUBULAR CAPACITOR
○	POLYESTER FILM CAPACITOR
○	POLYSTYRENE FILM CAPACITOR
○	MICA CAPACITOR
○	POLYPROPYLENE FILM CAPACITOR
○	SEMICONDUCTIVE CERAMIC CAPACITOR
○	POLYETHYLENE SULFIDE FILM CAPACITOR



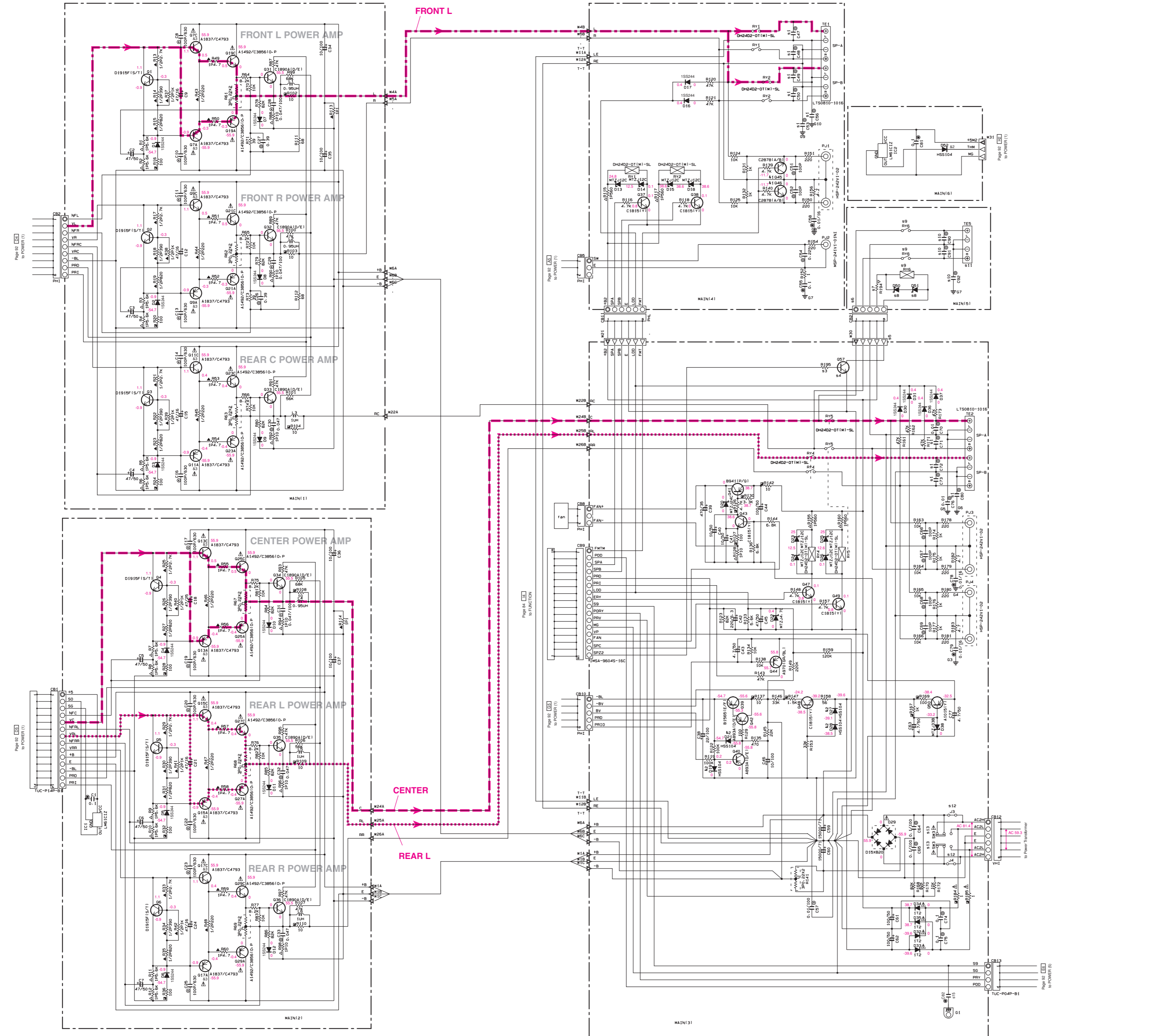
★ All voltages are measured with a 10MΩ/V DC electric volt meter.  
 ★ Components having special characteristics are marked with a triangle (▲) and must be replaced with parts having specifications equal to those originally installed.  
 ★ Schematic diagram is subject to change without notice.

● 電圧は、内部抵抗10MΩの電圧計で測定したものです。  
 ● ▲印のある部品は、安全性確保部品を示しています。部品の交換が必要な場合、パーツリストに記載されている部品を使用してください。  
 ● 本回路図は標準回路図です。改良のため予告なく変更することがございます。

S	Part Number	J	U	C	B	T	K	A	B	D	REMARKS
1	RES										4.7K 100P547 SAC

★ NOT USED  
 ○ USED / APPLICABLE

SCHEMATIC DIAGRAM (MAIN) RX-V2300/DSP-AX-2300



RESISTOR

REMARKS	PARTS NAME
NO MARK	CARBON FILM RESISTOR (P=5)
△	CARBON FILM RESISTOR (P=10)
□	METAL OXIDE FILM RESISTOR
▲	METAL FILM RESISTOR
⊠	METAL PLATE RESISTOR
■	FIRE PROOF CARBON FILM RESISTOR
□	CEMENT MOLDED RESISTOR
○	SEMI VARIABLE RESISTOR
■	CHIP RESISTOR

CAPACITOR

REMARKS	PARTS NAME
NO MARK	ELECTROLYTIC CAPACITOR
⊗	TANTALUM CAPACITOR
NO MARK	CERAMIC CAPACITOR
⊙	CERAMIC TUBULAR CAPACITOR
⊖	POLYESTER FILM CAPACITOR
○	POLYSTYRENE FILM CAPACITOR
⊕	MICA CAPACITOR
⊖	POLYPROPYLENE FILM CAPACITOR
⊙	SEMICONDUCTIVE CERAMIC CAPACITOR

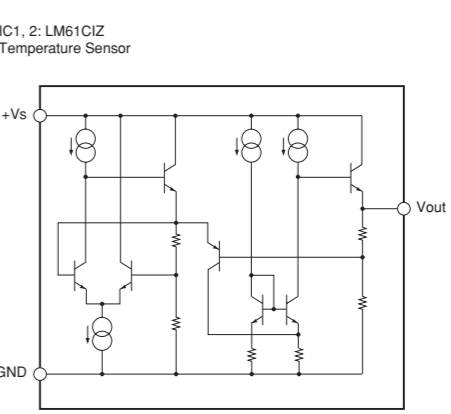
NOTICE (mode1)  
 (J)..... JAPAN  
 (U)..... U.S.A  
 (C)..... CANADA  
 (R)..... GENERAL  
 (T)..... CHINA  
 (K)..... KOREA  
 (A)..... AUSTRALIA  
 (B)..... BRITISH  
 (G)..... EUROPE  
 (L)..... SINGAPORE

PART NO.	DSP-AK2300		RX-V2300	
	U-C	R.T.K	U-C	A
s1	C47, C48, C49, C50, C53, C56, C71, C72, C73, C80	x	x	0.01 U465410, 0.01 U465410
s3	R195	x	4.7k WF2647	4.7k WF2647
s4	D07	x	C18151V1, C18151	C18151V1, C18151
s5	R30	x	V992050	V992050
s6	CB21	x	L891805, IP650	L891805, IP650
s7	R194	x	V94930, W7116	V94930, W7116
s8	D50, D51	x	V54430, V54430	V54430, V54430
s9	R16	x	DH242-OT1M1-SL, V53260	DH242-OT1M1-SL, V53260
s10	C90, C91, C92	x	x	0.01 U465410
s11	TE5	x	L150410-3012, L150400	L150410-3012, L150400
s12	J7, J4	o	x	x
s13	R33	x	SL138-022-AMCS, V410400	SL138-022-AMCS, V410400
s14	R102, 103	H7	HV7347, HV7347	HV7347, HV7347
s15	CB2	x	x	0.01 V20910

x: NOT USED  
 o: USED/APPLICABLE

Interchangeable Parts at Manufacture-Stage

Part No.	Reference Parts Number	Parts Name
s1	045, 46	25C28781A/01, 25D1915F15/11
s2	D19, 21, 27, 28, 52	H55104, H55133, H55176
s3	07, 9, 11, 13, 15, 17	A1837C4793, A1855AC4834

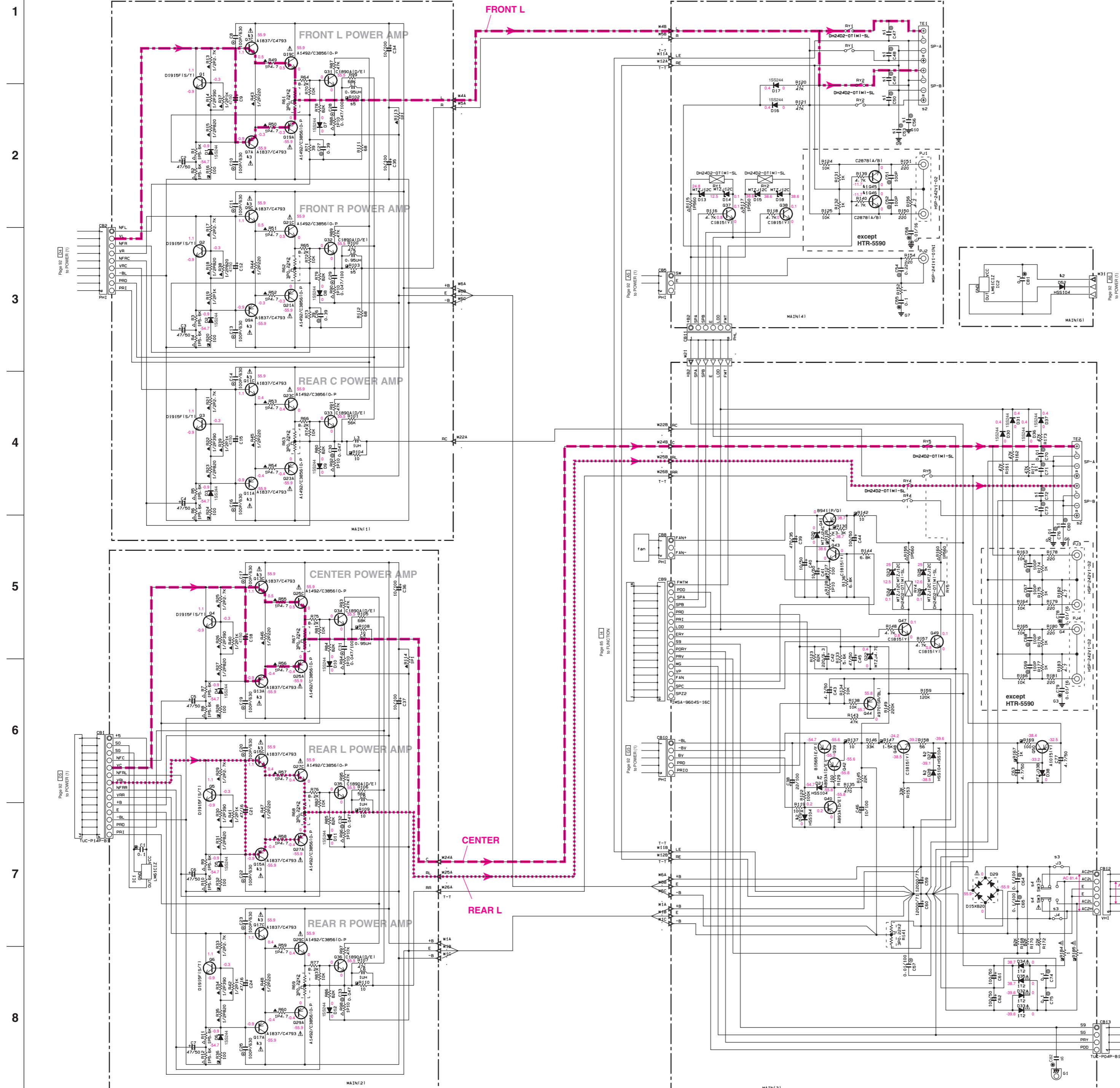


★ All voltages are measured with a 10MΩ/V DC electric volt meter.  
 ★ Components having special characteristics are marked △ and must be replaced with parts having specifications equal to those originally installed.  
 ★ Schematic diagram is subject to change without notice.

● 電圧は、内部抵抗10MΩの電圧計で測定したものです。  
 ● △印のある部品は、安全性確保部品を示しています。部品の交換が必要な場合、パーツリストに記載されている部品を使用してください。  
 ● 本回路図は標準回路図です。改良のため予告なく変更することがございます。

SCHEMATIC DIAGRAM (MAIN) RX-V1300/RX-V1300RDS/HTR-5590/DSP-AX1300

RX-V2300/DSP-AX2300/RX-V1300/RX-V1300RDS/HTR-5590/DSP-AX1300



RESISTOR

REMARKS	PARTS NAME
NO MARK	CARBON FILM RESISTOR (P=5)
□	CARBON FILM RESISTOR (P=10)
△	METAL OXIDE FILM RESISTOR
▲	METAL FILM RESISTOR
■	METAL PLATE RESISTOR
▨	FIRE PROOF CARBON FILM RESISTOR
□	CEMENT MOLDED RESISTOR
⊕	SEMI VARIABLE RESISTOR
■	CHIP RESISTOR

CAPACITOR

REMARKS	PARTS NAME
NO MARK	ELECTROLYTIC CAPACITOR
⊗	TANTALUM CAPACITOR
NO MARK	CERAMIC CAPACITOR
⊙	CERAMIC TUBULAR CAPACITOR
○	POLYSTYRENE FILM CAPACITOR
⊖	MICA CAPACITOR
⊕	POLYPROPYLENE FILM CAPACITOR
●	SEMICONDUCTIVE CERAMIC CAPACITOR

NOTICE (mode)

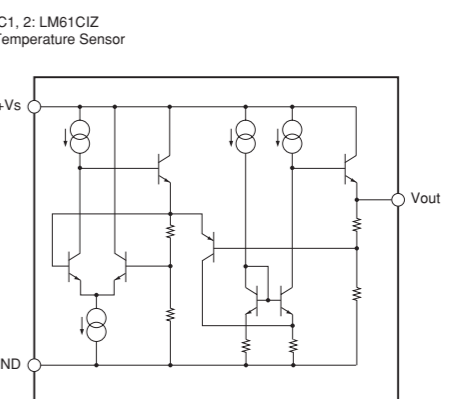
(J)..... JAPAN  
 (U)..... U.S.A  
 (C)..... CANADA  
 (R)..... GENERAL  
 (T)..... CHINA  
 (K)..... KOREA  
 (A)..... AUSTRALIA  
 (B)..... BRITISH  
 (G)..... EUROPE  
 (L)..... SINGAPORE

	DSP-AX1300	RX-V1300RDS	RX-V1300RDS
R1	C47, C48, C49, C50	X	X
R2	C63, C66, C71, C72, C73, C80	X	X
R3	L7S010-1016	L7S010-1016	L7S010-1016
R4	W949900	W949900	W949900
R5	X	X	X
R6	X	X	X
R7	X	X	X
R8	X	X	X
R9	X	X	X
R10	X	X	X
R11	X	X	X
R12	X	X	X
R13	X	X	X
R14	X	X	X
R15	X	X	X
R16	X	X	X
R17	X	X	X
R18	X	X	X
R19	X	X	X
R20	X	X	X
R21	X	X	X
R22	X	X	X
R23	X	X	X
R24	X	X	X
R25	X	X	X
R26	X	X	X
R27	X	X	X
R28	X	X	X
R29	X	X	X
R30	X	X	X
R31	X	X	X
R32	X	X	X
R33	X	X	X
R34	X	X	X
R35	X	X	X
R36	X	X	X
R37	X	X	X
R38	X	X	X
R39	X	X	X
R40	X	X	X
R41	X	X	X
R42	X	X	X
R43	X	X	X
R44	X	X	X
R45	X	X	X
R46	X	X	X
R47	X	X	X
R48	X	X	X
R49	X	X	X
R50	X	X	X
R51	X	X	X
R52	X	X	X
R53	X	X	X
R54	X	X	X
R55	X	X	X
R56	X	X	X
R57	X	X	X
R58	X	X	X
R59	X	X	X
R60	X	X	X
R61	X	X	X
R62	X	X	X
R63	X	X	X
R64	X	X	X
R65	X	X	X
R66	X	X	X
R67	X	X	X
R68	X	X	X
R69	X	X	X
R70	X	X	X
R71	X	X	X
R72	X	X	X
R73	X	X	X
R74	X	X	X
R75	X	X	X
R76	X	X	X
R77	X	X	X
R78	X	X	X
R79	X	X	X
R80	X	X	X
R81	X	X	X
R82	X	X	X
R83	X	X	X
R84	X	X	X
R85	X	X	X
R86	X	X	X
R87	X	X	X
R88	X	X	X
R89	X	X	X
R90	X	X	X
R91	X	X	X
R92	X	X	X
R93	X	X	X
R94	X	X	X
R95	X	X	X
R96	X	X	X
R97	X	X	X
R98	X	X	X
R99	X	X	X
R100	X	X	X

X: NOT USED  
 O: USED / APPLICABLE

Interchangeable Parts at Manufacture-Stage

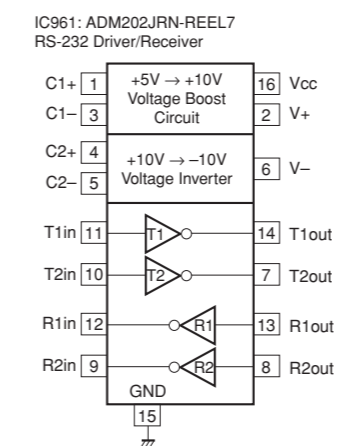
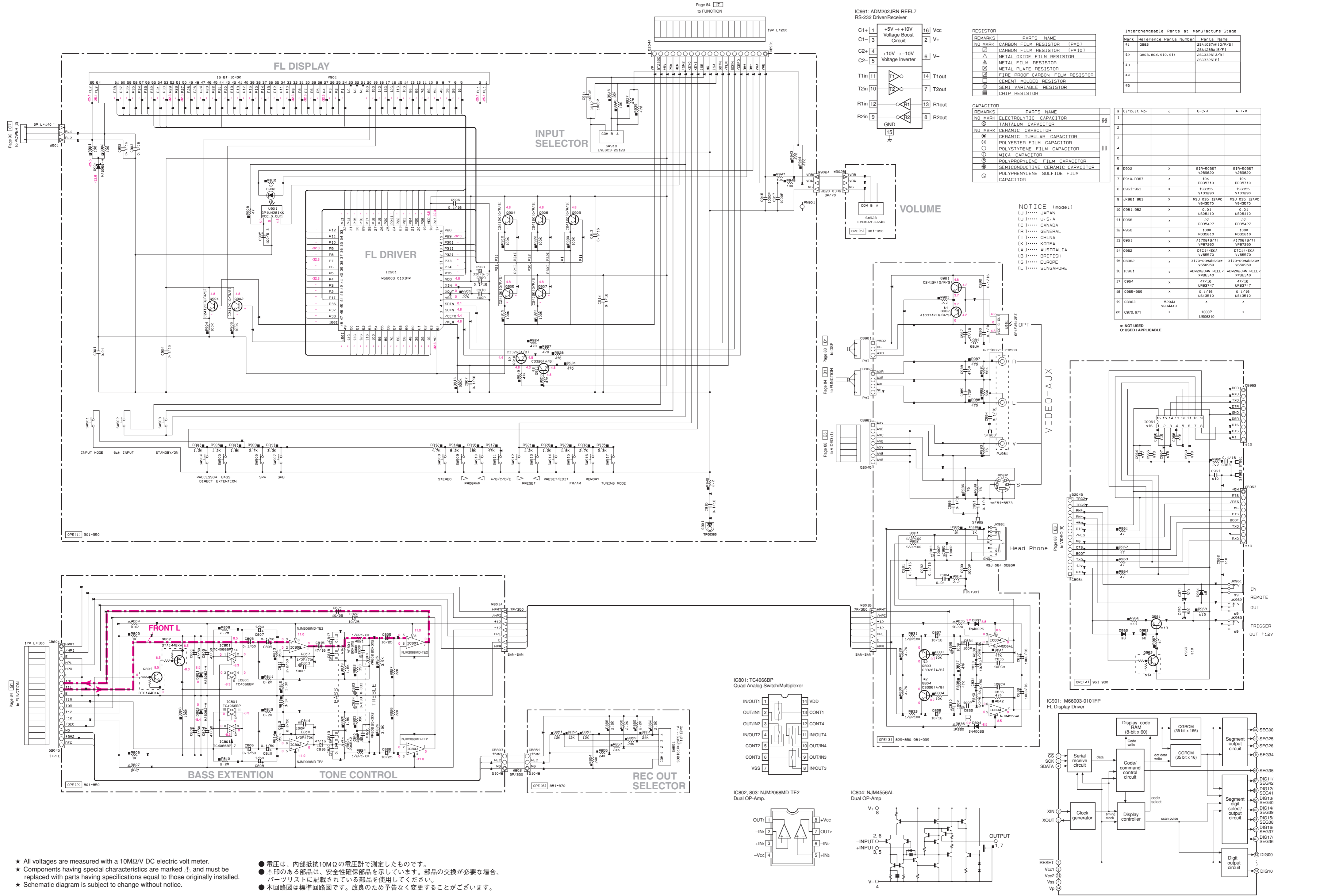
Mark	Reference Parts Number	Parts Name
R1	045-46	2SC8781A/91
R2	019-21-27-28-52	H55104 1S533 1S5176
R3	07-9-11-13-15-17	A1837/C4793 A1899A/C4834



- ★ All voltages are measured with a 10MΩ/V DC electric volt meter.
- ★ Components having special characteristics are marked with a triangle (▲) and must be replaced with parts having specifications equal to those originally installed.
- ★ Schematic diagram is subject to change without notice.

- 電圧は、内部抵抗10MΩの電圧計で測定したものです。
- ▲印のある部品は、安全性確保部品を示しています。部品の交換が必要な場合、パーツリストに記載されている部品を使用してください。
- 本回路図は標準回路図です。改良のため予告なく変更することがございます。

SCHEMATIC DIAGRAM (OPERATION) RX-V2300/DSP-AX-2300



RESISTOR

REMARKS	PARTS NAME
NO MARK	CARBON FILM RESISTOR (P=5)
△	CARBON FILM RESISTOR (P=10)
□	METAL OXIDE FILM RESISTOR
◇	METAL FILM RESISTOR
○	FINE GRID CARBON FILM RESISTOR
□	CEMENT MOLDED RESISTOR
◇	SEMI VARIABLE RESISTOR
■	CHIP RESISTOR

Interchangeable Parts at Manufacture Stage

Mark	Reference Parts Number	Parts Name
k1	0982	25A1337A1(D/P/S1)
k2	0803, 804, 910, 911	25A1235A1E(F/1)
k3		25C3261A(B)
k4		25C3261A(B)
k5		

CAPACITOR

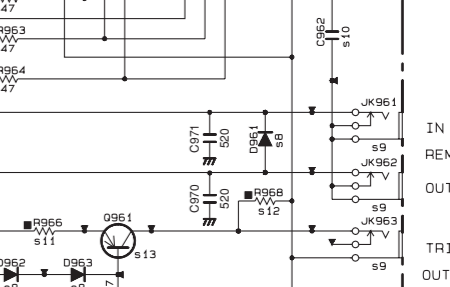
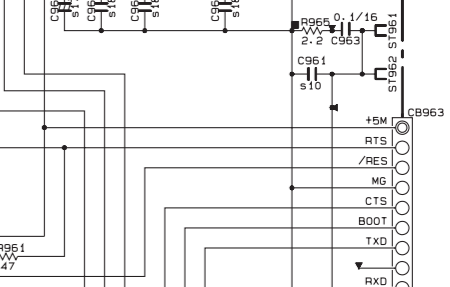
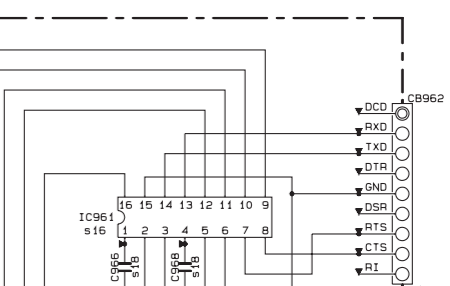
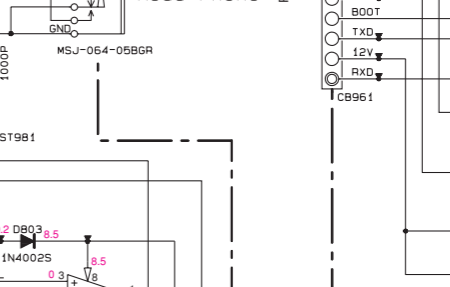
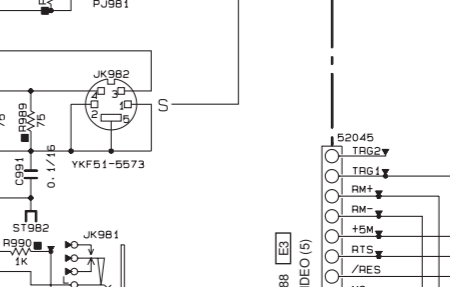
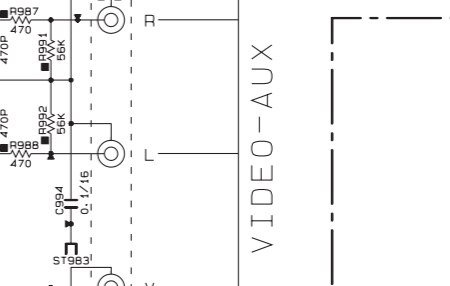
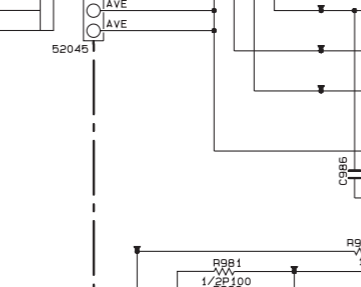
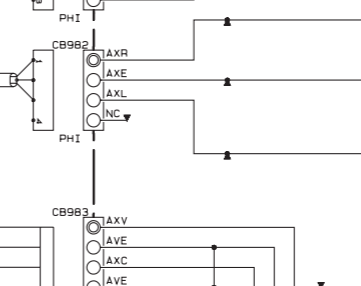
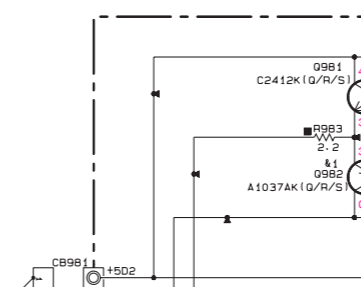
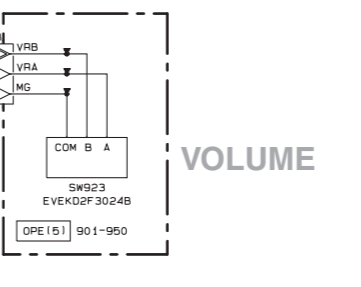
REMARKS	PARTS NAME
NO MARK	ELECTROLYTIC CAPACITOR
⊗	TANTALUM CAPACITOR
○	CERAMIC CAPACITOR
⊙	CERAMIC TUBULAR CAPACITOR
⊕	POLYESTER FILM CAPACITOR
⊖	POLYSTYRENE FILM CAPACITOR
⊗	MICA CAPACITOR
⊕	POLYPROPYLENE FILM CAPACITOR
⊖	SEMICONDUCTIVE CERAMIC CAPACITOR
⊙	POLYPHENYLENE SULFIDE FILM CAPACITOR

NOTICE (mode1)

(J)..... JAPAN  
(U)..... U.S.A  
(C)..... CANADA  
(R)..... GENERAL  
(T)..... CHINA  
(K)..... KOREA  
(A)..... AUSTRALIA  
(B)..... BRITISH  
(G)..... EUROPE  
(L)..... SINGAPORE

IC	Circuit No.	U	U.C.A	R.T.X
1				
2				
3				
4				
5				
6	D902	X	S1R-80551	S1R-80551
7	R910-R967	X	10K	10K
8	D961-963	X	R035710	R035710
9	JK961-963	X	MS-138-12APC	MS-138-12APC
10	C961, 962	X	0.01	0.01
11	R966	X	27	27
12	R968	X	R035810	R035810
13	D961	X	A170815/T1	A170815/T1
14	D962	X	DT144E6A	DT144E6A
15	C962	X	3170-DSMANS1X	3170-DSMANS1X
16	IC961	X	ADM202JRN-REEL7	ADM202JRN-REEL7
17	C964	X	UR83747	UR83747
18	C965-969	X	0.1/16	0.1/16
19	C963	X	1000P	1000P
20	C970, 971	X	US08310	US08310

NOT USED  
USED / APPLICABLE



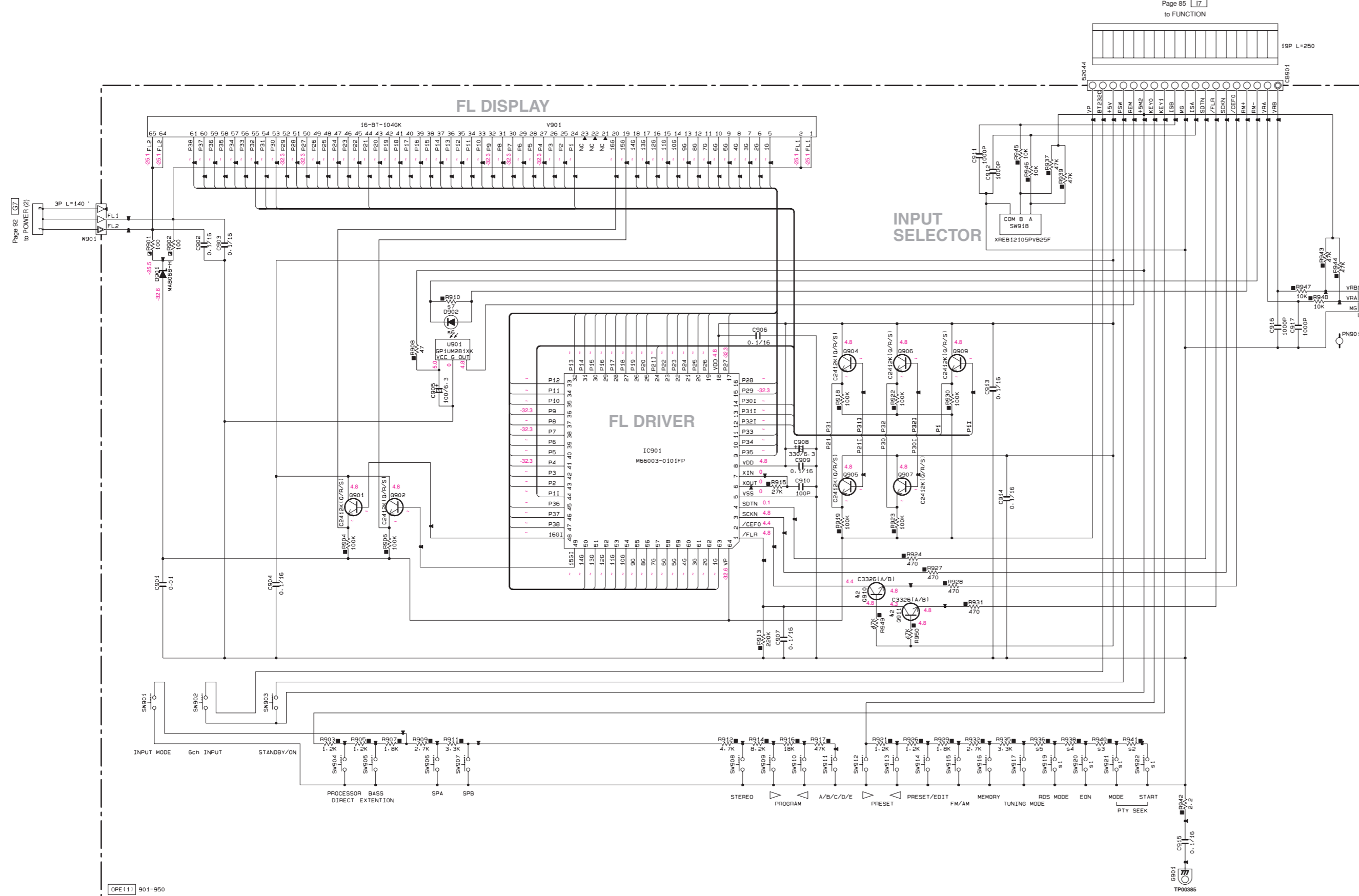
\* All voltages are measured with a 10MΩ/V DC electric volt meter.  
\* Components having special characteristics are marked with a triangle and must be replaced with parts having specifications equal to those originally installed.  
\* Schematic diagram is subject to change without notice.

● 電圧は、内部抵抗10MΩの電圧計で測定したものです。  
● △印のある部品は、安全性確保部品を示しています。部品の交換が必要な場合、パーツリストに記載されている部品を使用してください。  
● 本回路図は標準回路図です。改良のため予告なく変更することがございます。

SCHEMATIC DIAGRAM (OPERATION) RX-V1300/RX-V1300RDS/HTR-5590/DSP-AX1300

RX-V2300/DSP-AX2300/RX-V1300/RX-V1300RDS/HTR-5590/DSP-AX1300

Page 85 to FUNCTION



REMARKS	PARTS NAME
NO MARK	CARBON FILM RESISTOR (P=5)
△	CARBON FILM RESISTOR (P=10)
▲	METAL OXIDE FILM RESISTOR
▴	METAL FILM RESISTOR
▾	METAL PLATE RESISTOR
▽	FIRE-PROOF CARBON FILM RESISTOR
□	CEMENT MOLDED RESISTOR
◇	SEMI-VARIABLE RESISTOR
■	CHIP RESISTOR

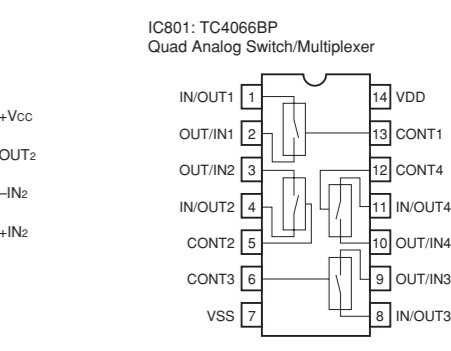
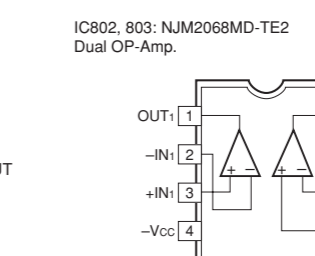
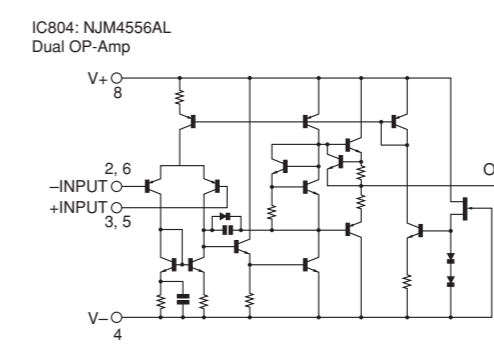
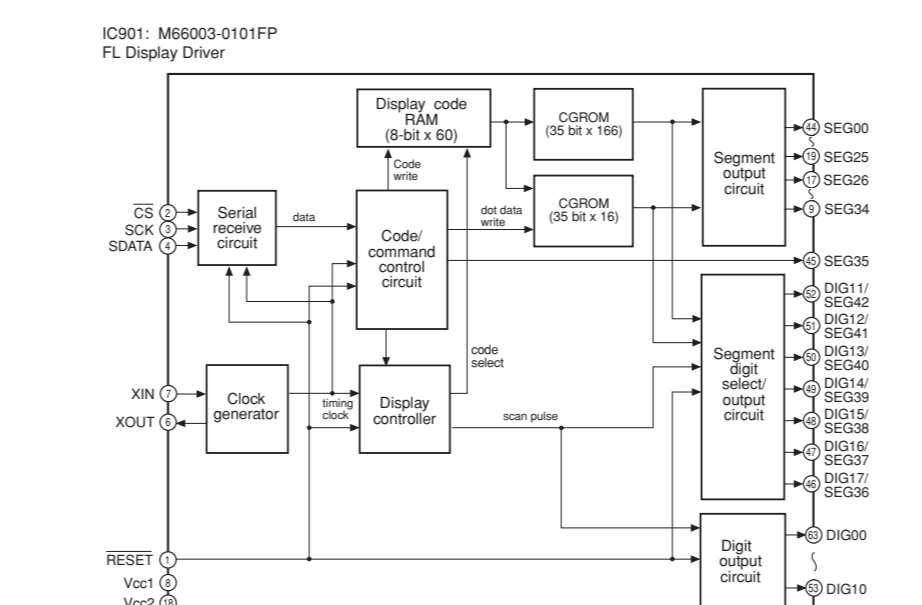
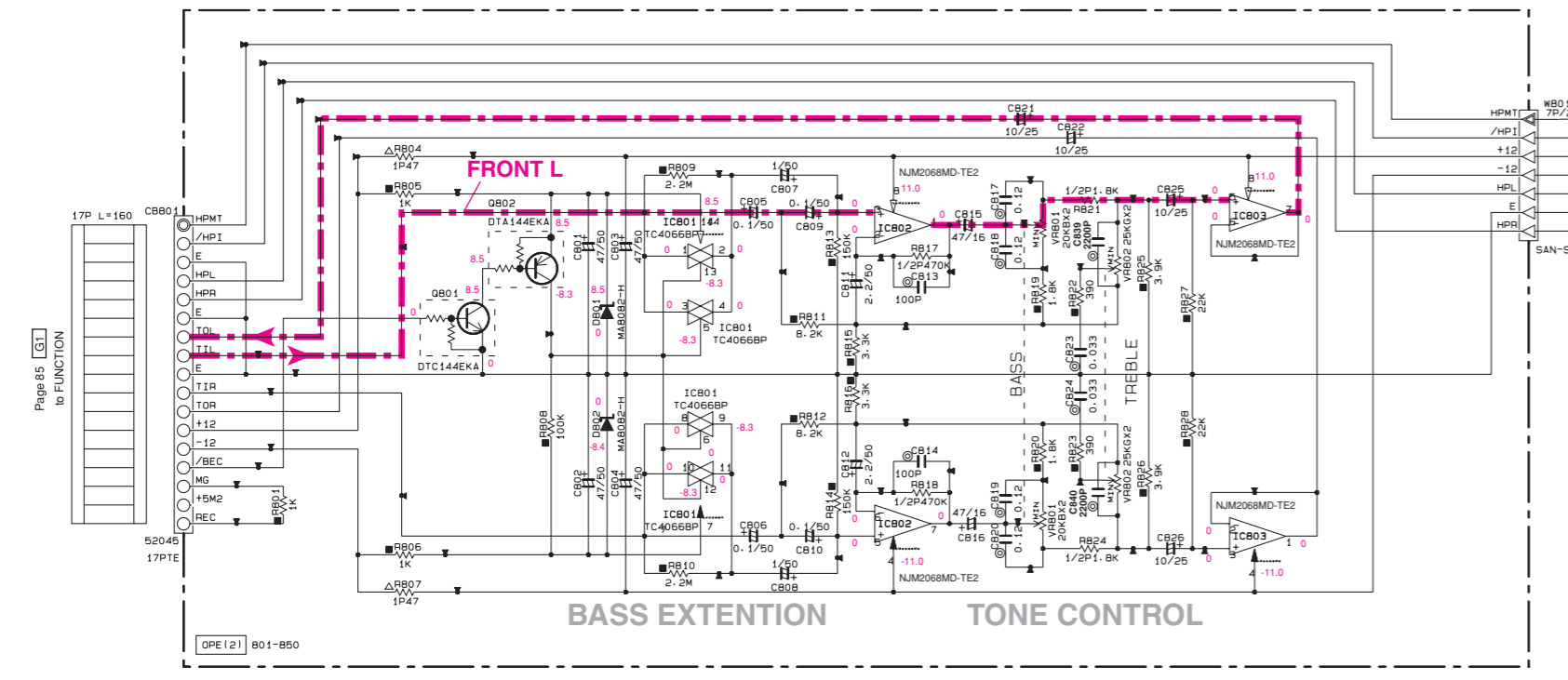
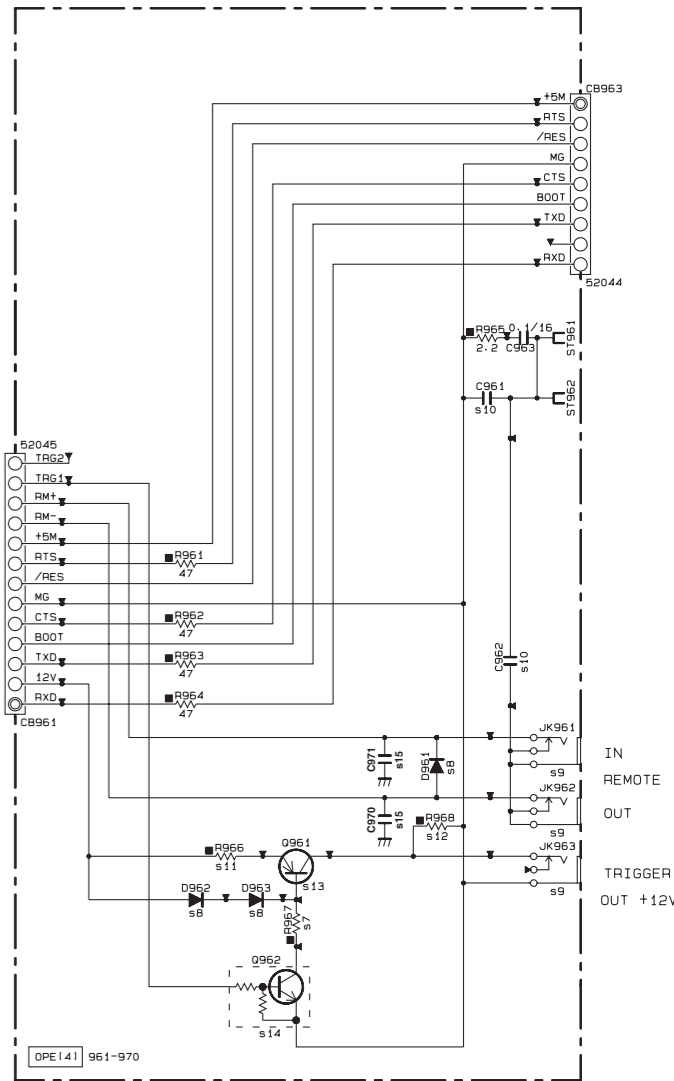
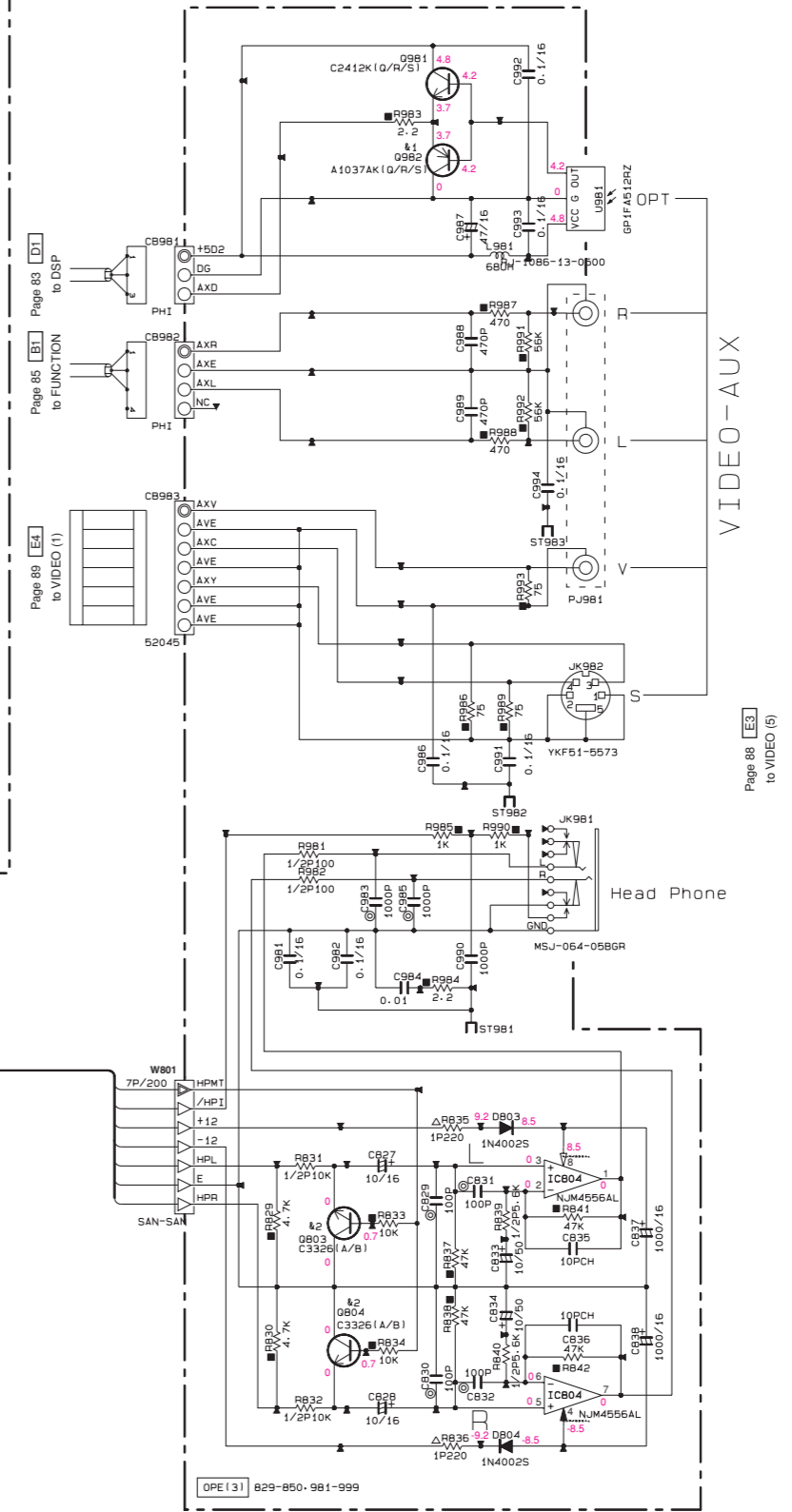
Mark	Reference Parts Number	Parts Name
K1	0982	25A1037AK1G/R/S1
K2	0903.004.910.911	25C1239A1E/F1
K3		25C13261A/R1
K4		25C33261B1
K5		

REMARKS	PARTS NAME
NO MARK	ELECTROLYTIC CAPACITOR
⊗	TANTALUM CAPACITOR
○	CERAMIC CAPACITOR
⊙	CERAMIC TUBULAR CAPACITOR
⊖	POLYESTER FILM CAPACITOR
⊕	POLYPROPYLENE FILM CAPACITOR
⊖	MICA CAPACITOR
⊖	POLYPROPYLENE FILM CAPACITOR
⊖	SEMICONDUCTIVE CERAMIC CAPACITOR
⊖	POLYPHENYLENE SULFIDE FILM CAPACITOR

Mark	Circuit No.	J-R-T-K	U-C-A	B-G
1	SW19-922	X	X	V475710
2	R941	X	X	47K RD36747
3	R940	X	X	18K RD35719
4	R938	X	X	5.2K RD35682
5	R936	X	X	4.7K RD35647
6	D902	X	S1R-5085T V259820	X
7	R910-R967	X	10K RD35710	X
8	D961-963	X	153395 Y133900	X
9	JK961-963	X	MSJ-036-1240C V943570	X
10	C961-C962	X	100P US06410	X
11	R966	X	27 RD35427	X
12	R968	X	100K RD35810	X
13	D961	X	A170815/771 V97860	X
14	D962	X	OTC14EKA VV69570	X
15	C970, 971	X	100P US06310	X

X: NOT USED  
O: USED / APPLICABLE

NOTICE (model)  
(J)..... JAPAN  
(U)..... U.S.A  
(C)..... CANADA  
(R)..... GENERAL  
(T)..... CHINA  
(K)..... KOREA  
(A)..... AUSTRALIA  
(B)..... BRITISH  
(G)..... EUROPE  
(L)..... SINGAPORE

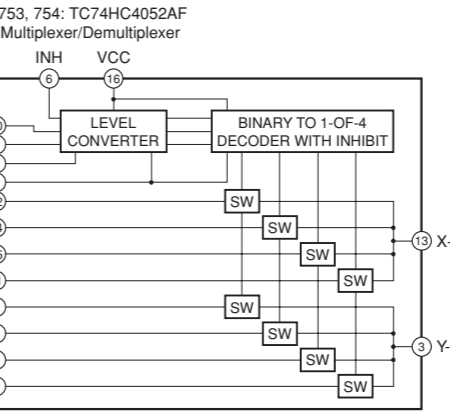
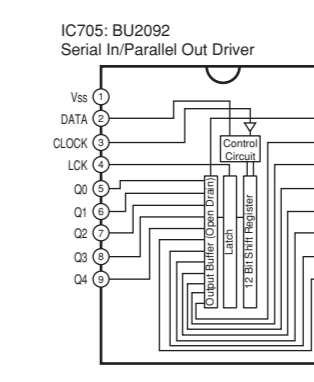
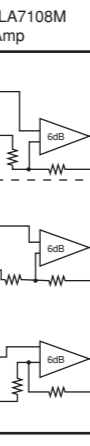
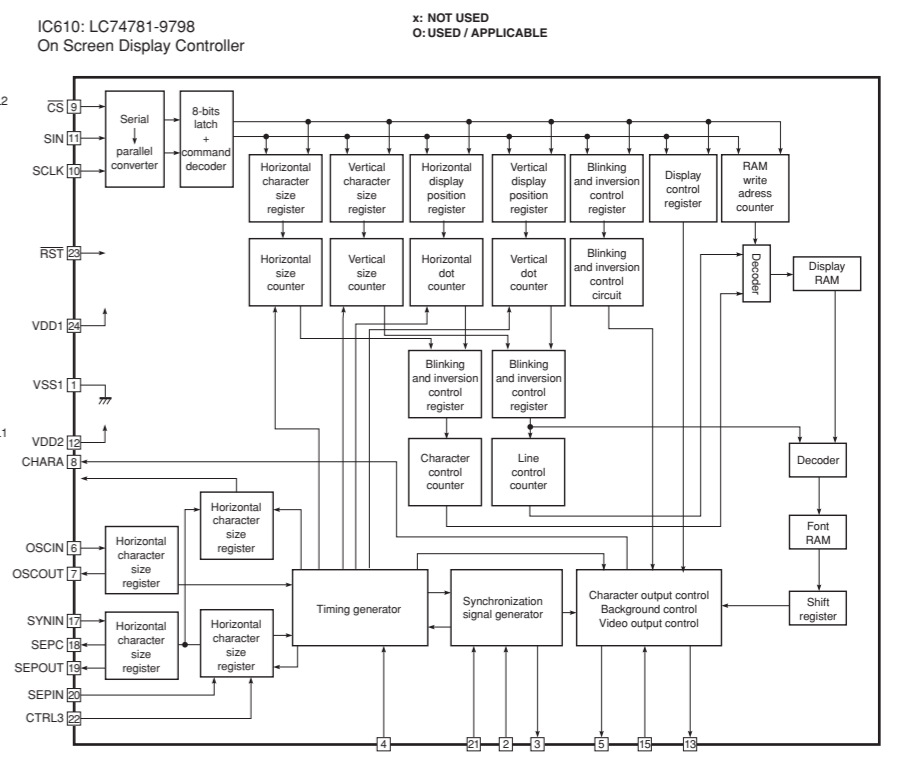
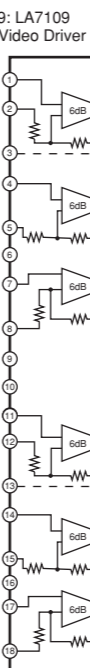
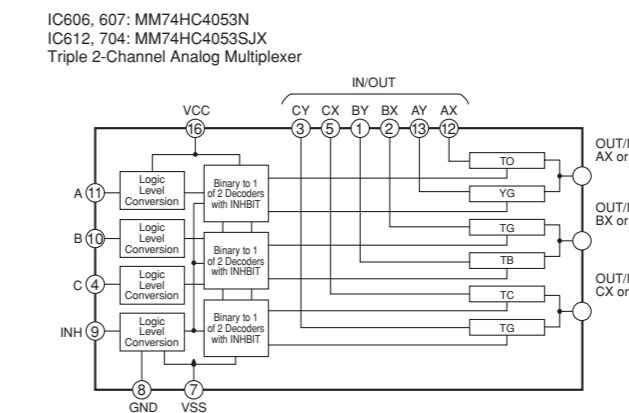
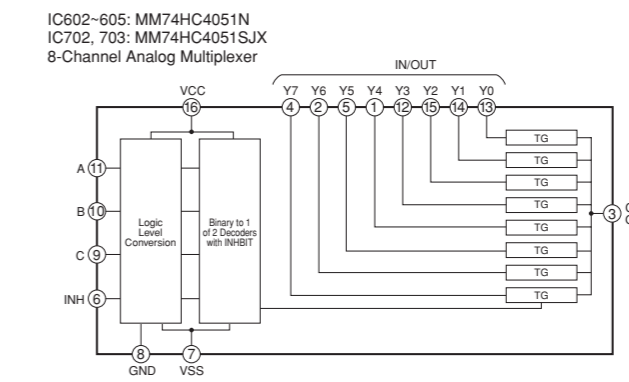
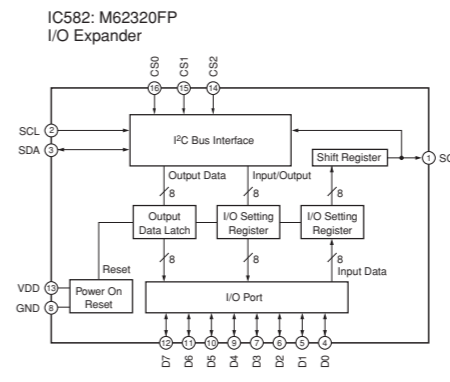
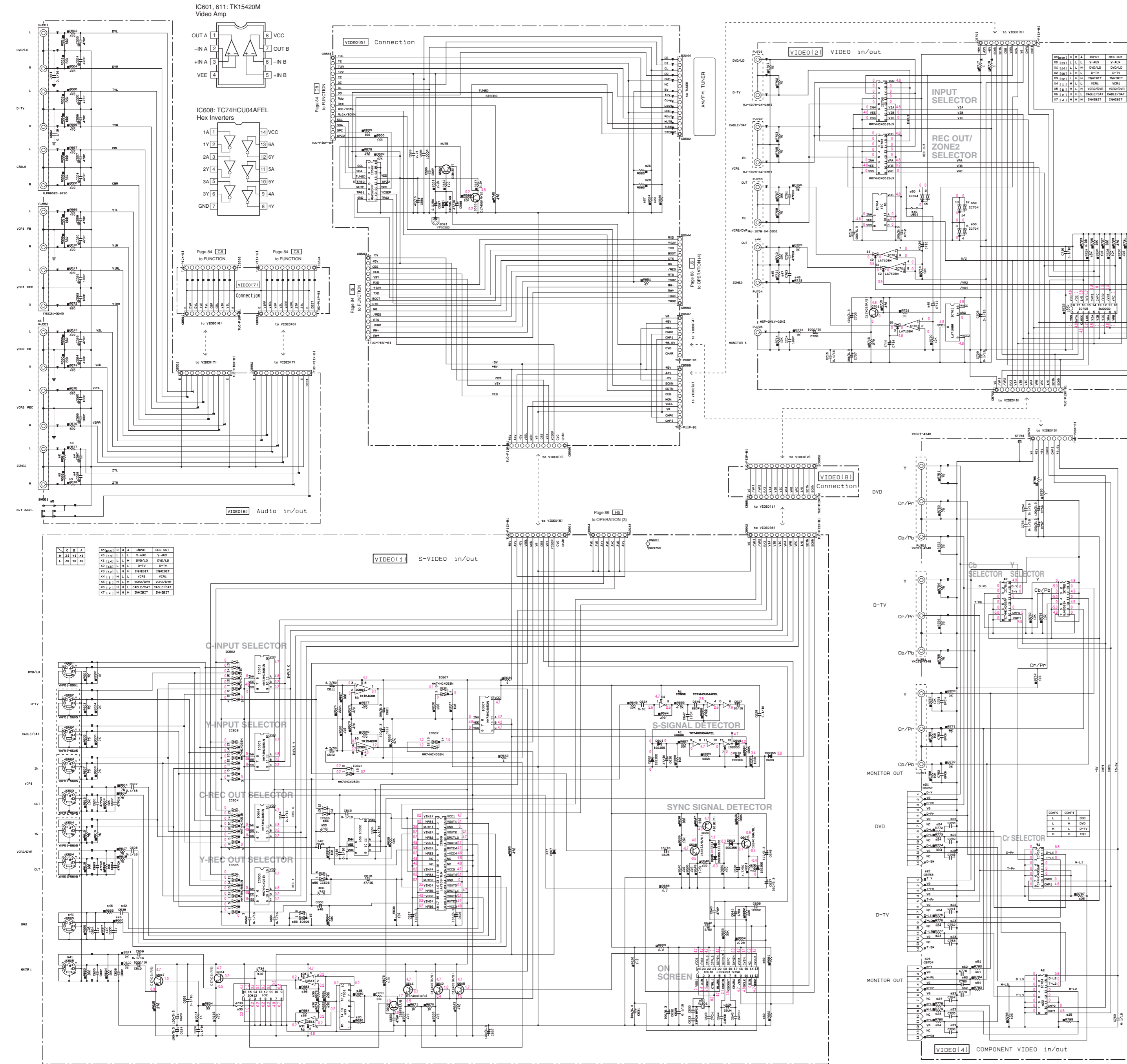


- ★ All voltages are measured with a 10MΩ/V DC electric volt meter.
- ★ Components having special characteristics are marked △ and must be replaced with parts having specifications equal to those originally installed.
- ★ Schematic diagram is subject to change without notice.
- 電圧は、内部抵抗10MΩの電圧計で測定したものです。
- △印のある部品は、安全性確保部品を示しています。部品の交換が必要な場合、パーツリストに記載されている部品を使用してください。
- 本回路図は標準回路図です。改良のため予告なく変更することがございます。





# SCHEMATIC DIAGRAM (VIDEO) RX-V2300/DSP-AX-2300



IC	IC PART NO	J	U-C	B.T.K	A
11	PL983	V40630	V419910	V40630	V419910
12	RS25-262	X	DSK	RS2576	DSK
13	RS27-676	X	470	RS2547	470
14	CR67-506	X	470	CR6750	470
15	BS61	X	X	YB1175	X
161	CR760-760-764	VF40-004	X	X	X
162	IC754	TC74HC4052AF	X	X	X
163	CR760-760	D.01	X	X	X
164	KT73-760	150	X	X	X
165	KT73-760-769	150	X	X	X
166	RS63	470	RS2547	470	RS2547
167	RS64	470	RS2547	470	RS2547
168	RS65	470	RS2547	470	RS2547
169	RS66	470	RS2547	470	RS2547
170	KT73-734	X	X	RS2500	X
171	IC611	LA7109	X	X	X
172	IC612	MM74HC4053N	X	X	X
173	RS63	470	RS2547	470	RS2547
174	RS64	470	RS2547	470	RS2547
175	RS65	470	RS2547	470	RS2547
176	RS66	470	RS2547	470	RS2547
177	KT73-674-683-684	150	X	X	X
178	IC607	MM74HC4053N	X	X	X
179	KT73-734	X	X	RS2500	X
180	IC608	TC74HC4052AF	X	X	X
181	IC609	LA7109	X	X	X
182	IC610	LC74781-9798	X	X	X
183	KT73-734	X	X	RS2500	X
184	KT73-734	X	X	RS2500	X
185	KT73-734	X	X	RS2500	X
186	KT73-734	X	X	RS2500	X
187	KT73-734	X	X	RS2500	X
188	KT73-734	X	X	RS2500	X
189	KT73-734	X	X	RS2500	X
190	KT73-734	X	X	RS2500	X
191	KT73-734	X	X	RS2500	X
192	KT73-734	X	X	RS2500	X
193	KT73-734	X	X	RS2500	X
194	KT73-734	X	X	RS2500	X
195	KT73-734	X	X	RS2500	X
196	KT73-734	X	X	RS2500	X
197	KT73-734	X	X	RS2500	X
198	KT73-734	X	X	RS2500	X
199	KT73-734	X	X	RS2500	X
200	KT73-734	X	X	RS2500	X

★ All voltages are measured with a 10MΩ/V DC electric volt meter.  
 ★ Components having special characteristics are marked  $\Delta$  and must be replaced with parts having specifications equal to those originally installed.  
 ★ Schematic diagram is subject to change without notice.

● 電圧は、内部抵抗10MΩの電圧計で測定したものです。  
 ●  $\Delta$ 印のある部品は、安全性確保部品を示しています。部品の交換が必要な場合、パーツリストに記載されている部品を使用してください。  
 ● 本回路図は標準回路図です。改良のため予告なく変更することがございます。

REMARKS	PARTS NAME	REMARKS	PARTS NAME
NO NAME CARBON FILM RESISTOR (PWS)	RES	NO NAME ELECTROLYTIC CAPACITOR	CAP
CARBON FILM RESISTOR (EP10)	RES	TANTALUM CAPACITOR	CAP
METAL OXIDE FILM RESISTOR	RES	NO NAME CERAMIC CAPACITOR	CAP
METAL FILM RESISTOR	RES	CERAMIC TUBULAR CAPACITOR	CAP
POLYESTER FILM CAPACITOR	CAP	POLYESTER FILM CAPACITOR	CAP
FUSE PROOF CARBON FILM RESISTOR	RES	POLYETHYLENE FILM CAPACITOR	CAP
NO NAME CERAMIC CAPACITOR	CAP	MICA CAPACITOR	CAP
CERMET RESISTOR	RES	POLYPROPYLENE FILM CAPACITOR	CAP
NO NAME CERAMIC CAPACITOR	CAP	CHIP RESISTOR	RES

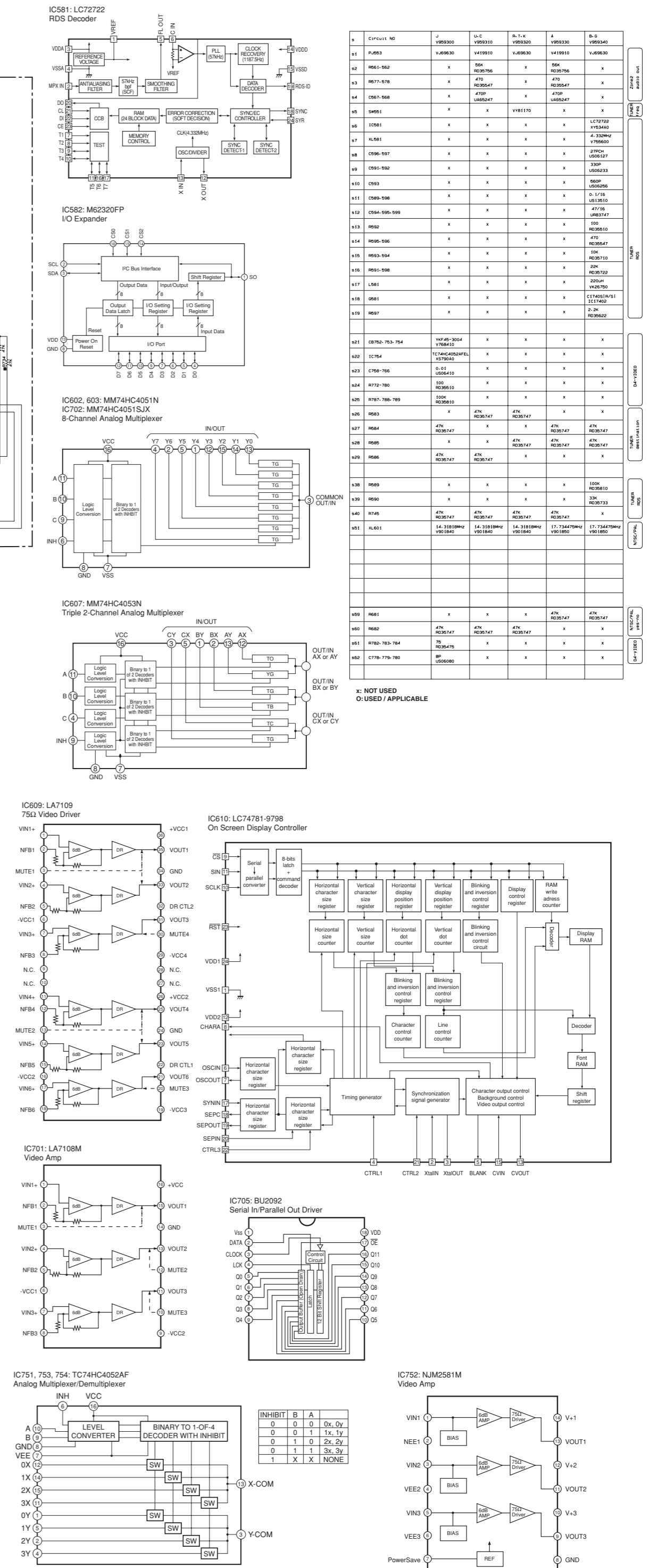
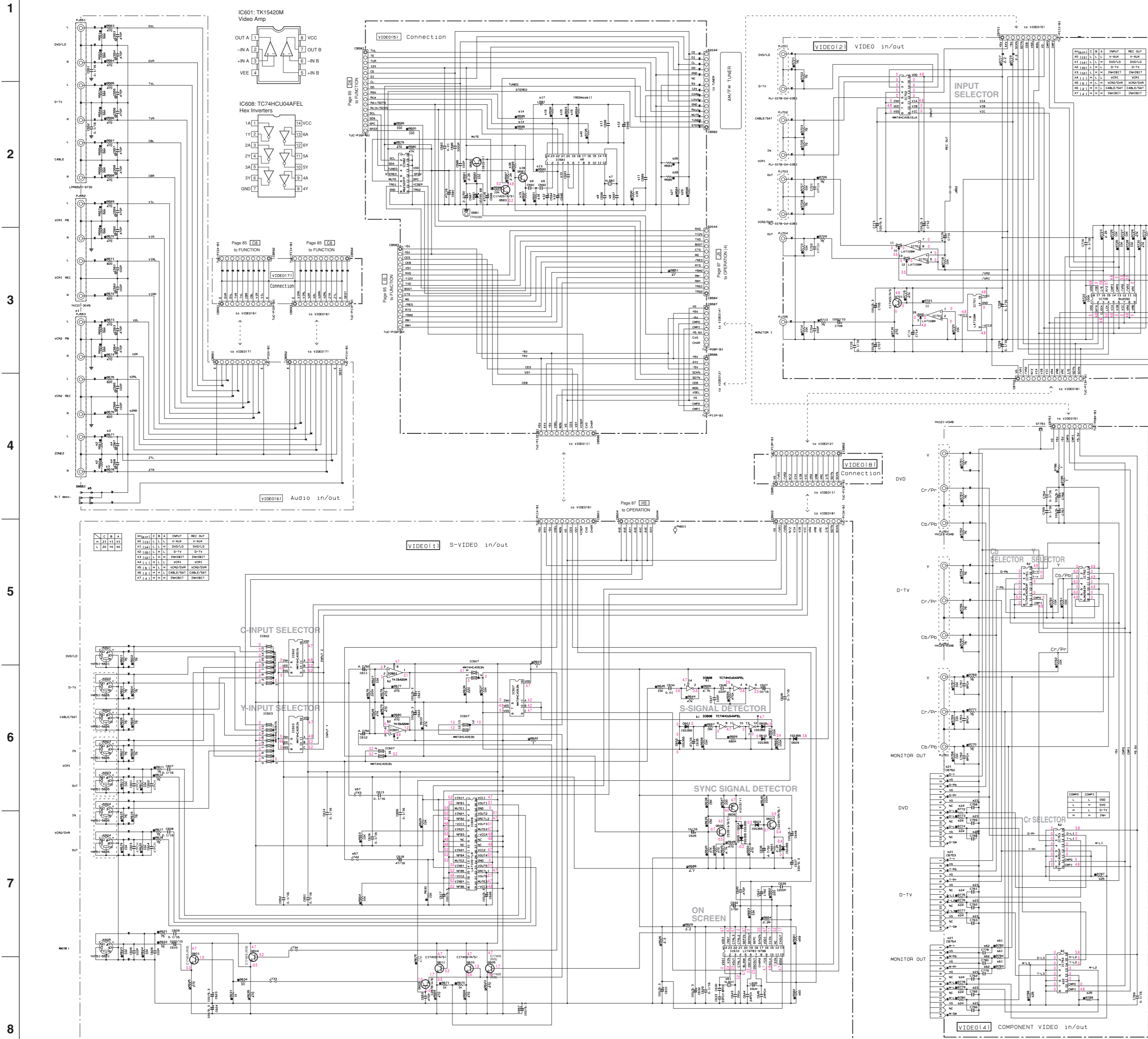
Interchangeable Parts at Manufacture Stage

Part No.	Part Name	Part Name
11	PL983	PL983
12	RS25-262	RS25-262
13	RS27-676	RS27-676
14	CR67-506	CR67-506
15	BS61	BS61
161	CR760-760-764	CR760-760-764
162	IC754	IC754
163	CR760-760	CR760-760
164	KT73-760	KT73-760
165	KT73-760-769	KT73-760-769
166	RS63	RS63
167	RS64	RS64
168	RS65	RS65
169	RS66	RS66
170	KT73-734	KT73-734
171	IC611	IC611
172	IC612	IC612
173	RS63	RS63
174	RS64	RS64
175	RS65	RS65
176	RS66	RS66
177	KT73-674-683-684	KT73-674-683-684
178	IC607	IC607
179	KT73-734	KT73-734
180	IC608	IC608
181	IC609	IC609
182	IC610	IC610
183	KT73-734	KT73-734
184	KT73-734	KT73-734
185	KT73-734	KT73-734
186	KT73-734	KT73-734
187	KT73-734	KT73-734
188	KT73-734	KT73-734
189	KT73-734	KT73-734
190	KT73-734	KT73-734
191	KT73-734	KT73-734
192	KT73-734	KT73-734
193	KT73-734	KT73-734
194	KT73-734	KT73-734
195	KT73-734	KT73-734
196	KT73-734	KT73-734
197	KT73-734	KT73-734
198	KT73-734	KT73-734
199	KT73-734	KT73-734
200	KT73-734	KT73-734

NOTICE (model)  
 (J)..... JAPAN  
 (U)..... U.S.A  
 (C)..... CANADA  
 (S)..... SENSAL  
 (T)..... THAI  
 (K)..... KOREA  
 (A)..... AUSTRALIA  
 (B)..... BRITISH  
 (E)..... EUROPE  
 (L)..... SINGAPORE

■ SCHEMATIC DIAGRAM (VIDEO) RX-V1300/RX-V1300RDS/HTR-5590/DSP-AX1300

RX-V2300/DSP-AX2300/RX-V1300/RX-V1300RDS/HTR-5590/DSP-AX1300



IC	Part No.	Manufacturer	Notes
IC581	LC72722	ROHM	RDS Decoder
IC582	M62320FP	ROHM	I/O Expander
IC602, 603	MM74HC4051N	ON SEMI	8-Channel Analog Multiplexer
IC606	LA7109	ROHM	75Ω Video Driver
IC610	LC74781-9798	ROHM	On Screen Display Controller
IC701	LA7108M	ROHM	Video Amp
IC705	BU2092	ROHM	Serial In/Parallel Out Driver
IC751	753, 754	ON SEMI	Analog Multiplexer/Demultiplexer
IC752	NJM2581M	ROHM	Video Amp

X: NOT USED  
O: USED / APPLICABLE

\* All voltages are measured with a 10MΩ/V DC electric voltmeter.  
\* Components having special characteristics are marked with a triangle and must be replaced with parts having specifications equal to those originally installed.  
\* Schematic diagram is subject to change without notice.

● 電圧は、内部抵抗10MΩの電圧計で測定したものです。  
● 三角形のある部品は、安全性確保部品を示しています。部品の交換が必要な場合、パーツリストに記載されている部品を使用してください。  
● 本回路図は標準回路図です。改良のため予告なく変更することがございます。

RESISTOR	REMARKS	PARTS NAME	REMARKS	PARTS NAME
100K	RESISTOR	RESISTOR	RESISTOR	RESISTOR
10K	RESISTOR	RESISTOR	RESISTOR	RESISTOR
1K	RESISTOR	RESISTOR	RESISTOR	RESISTOR
100Ω	RESISTOR	RESISTOR	RESISTOR	RESISTOR
10Ω	RESISTOR	RESISTOR	RESISTOR	RESISTOR
1Ω	RESISTOR	RESISTOR	RESISTOR	RESISTOR

IC	Part No.	Manufacturer	Notes
IC751	753, 754	ON SEMI	Analog Multiplexer/Demultiplexer
IC752	NJM2581M	ROHM	Video Amp